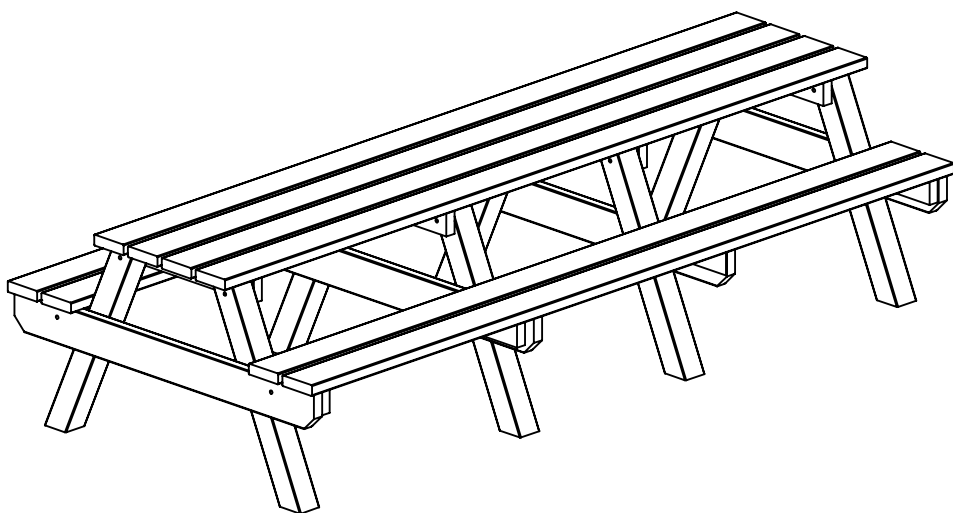


# Heavy Duty 3000mm Picnic Table



## Assembly Guide

**NBB**  
Recycled  
Furniture

**NBB**  
Outdoor  
Shelters

**NBB**  
Premises  
& Matting

**NBB**  
School  
Shelters

**Notes:**

# Parts and Fittings

Two People required  
for safe assembly

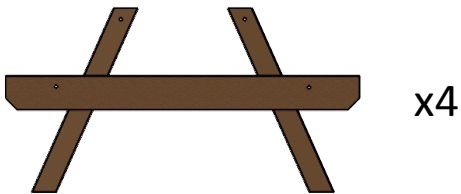
Table Top



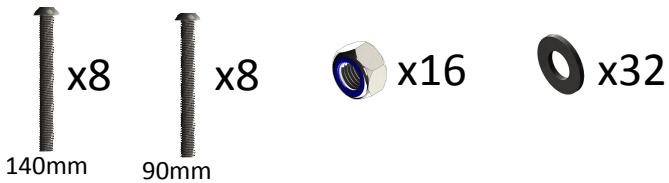
Bench Seat



Legs



Fittings



Tools supplied

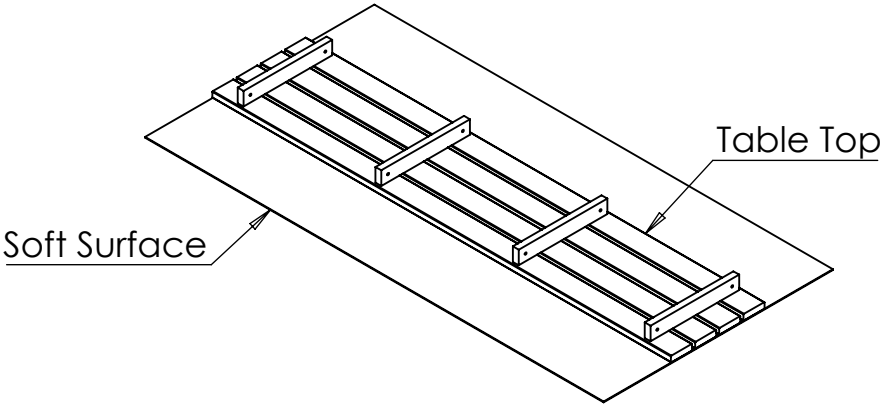


17mm Spanner      x1

6mm Allen Key      x1

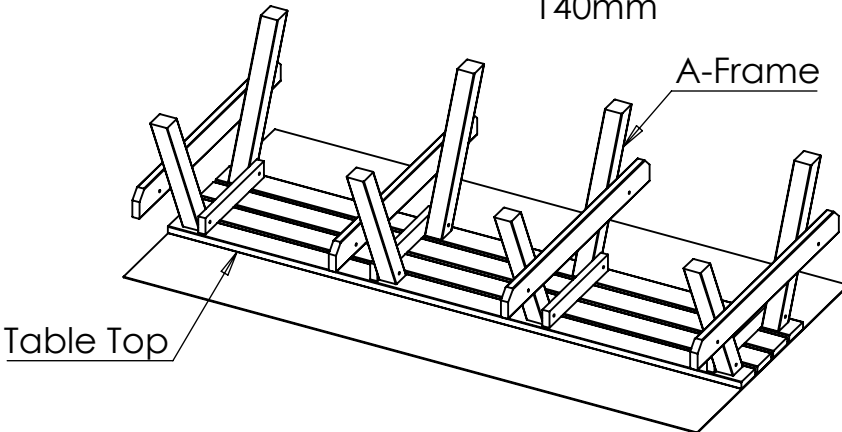
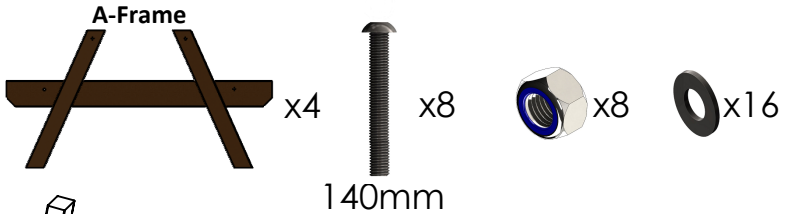
# Step 1

Place Table Top on any soft, flat surface.



**Do not over-tighten bolts during assembly as small adjustments will help parts fit.**

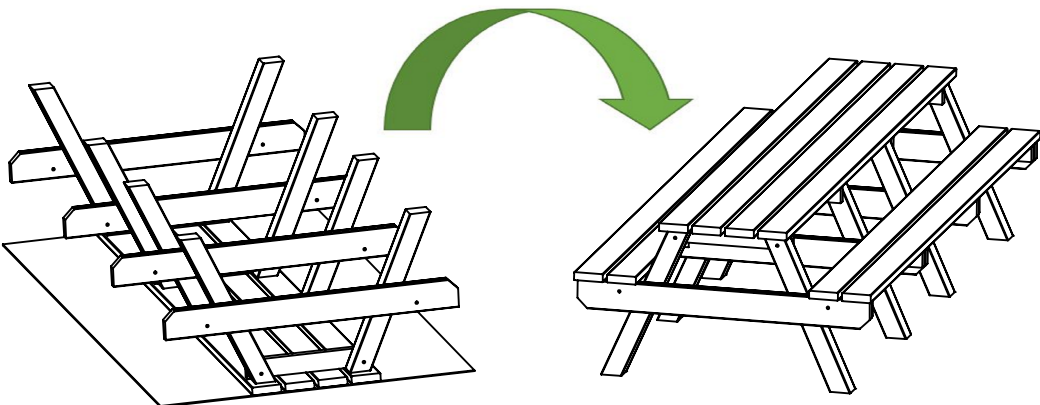
# Step 2



**Attach A-Frames to underside of the Table top using 140mm bolts supplied.**

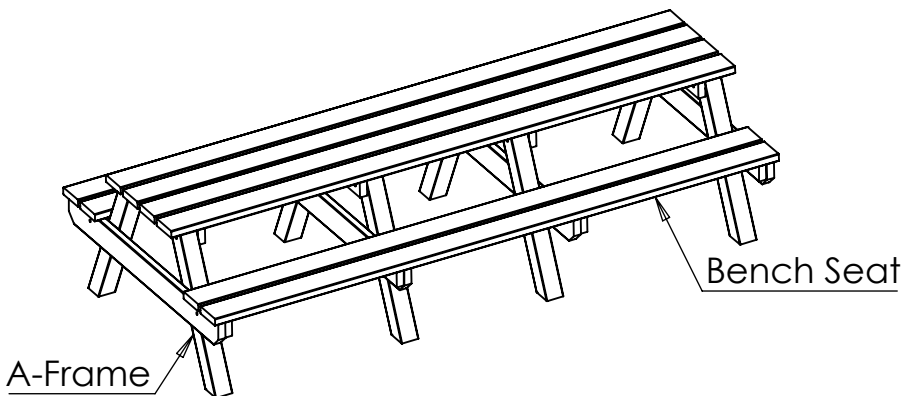
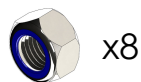
### Step 3 When all legs are secure turn the bench over.

Flip table using two people.



### Step 4

Bench Seat



Place the seats on the A-Frame, lining up the holes and bolting through. (Make sure all bolts are tight at this point.) 2 People can now move the bench to desired position.

**Notes:**

**Notes:**

# THANK YOU FOR PURCHASING THIS PRODUCT

**CONTACT DETAILS:**

Email : [sales@recycledfurniture.co.uk](mailto:sales@recycledfurniture.co.uk)

Web : [www.recycledfurniture.co.uk](http://www.recycledfurniture.co.uk)

Tel : 0800 1777 052

NBB Recycled Furniture, Unit 5, 145 Sterte Road, Poole, Dorset BH15 2AF

<b>All Parts and Fixings checked by:</b>	
<b>Print Name:</b>	<b>Signature</b>